



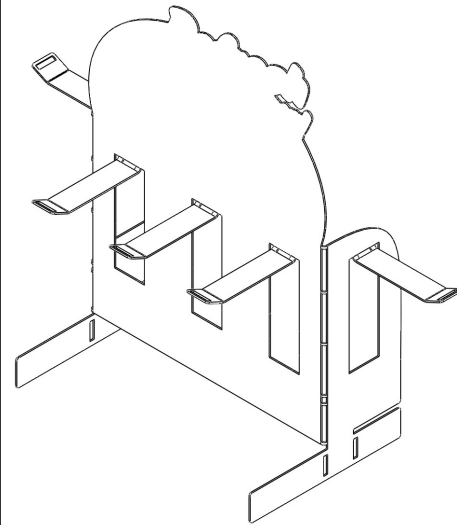
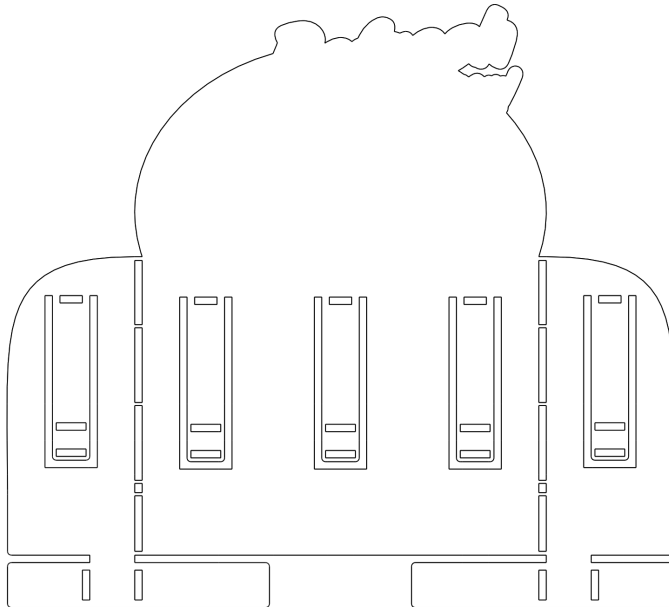
SETUP GUIDE

REFRESH YOUR CAR CDU
ENERGIZER
P1020

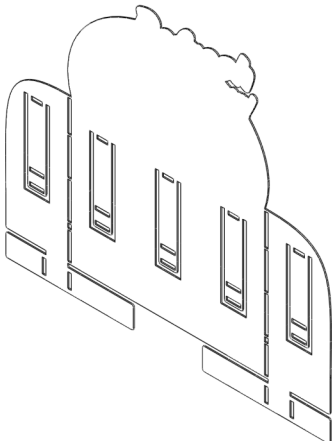
BRANDED RETAIL SOLUTIONS
ORIGAMITM
SUSTAINABLE FLATPACKED PATENTED DISPLAYS

FOR SAFETY AND STABILITY,
FOLLOW EVERY STEP OF THIS GUIDE.
AVOID REPEATED BENDING.

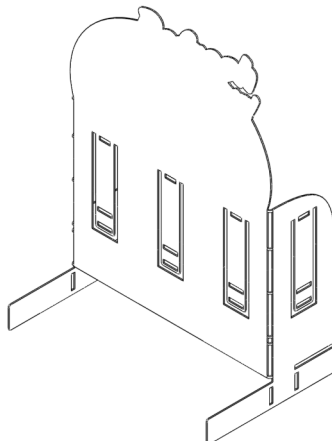
1X A



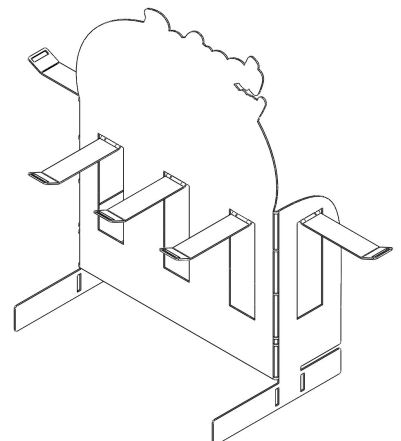
1



2



3



PLEASE RECYCLE WITH CARE

FIND OUT MORE ABOUT OUR DISPLAYS AT WWW.BRANDED.DK